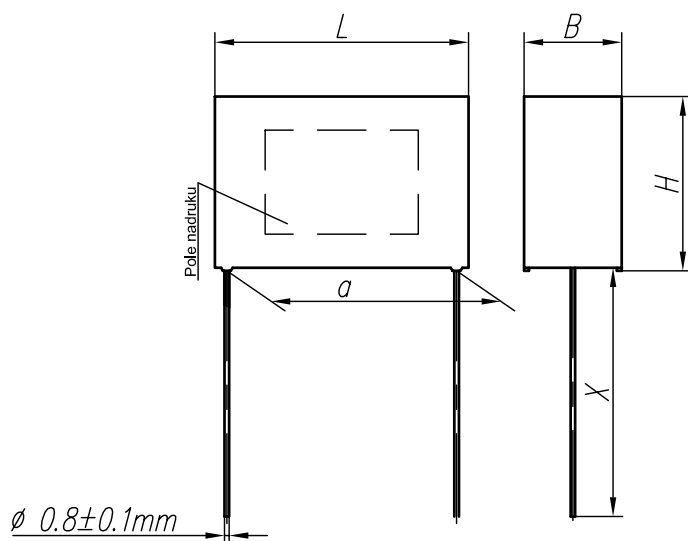


INTERFERENCE SUPPRESSION CAPACITORS OF CLASS X1 / 440V~

Version 00, 01



Standard lead lengths
X = 6 ± 1 mm for ver. 00
X = 35 ± 5 mm for ver. 01
Other lengths or types of leads are available at the customer's request.

APPLICATION

The WX1P interference suppression capacitors of class X1 are designed to attenuate RFI signals in electronic / electrical equipment supplied with AC voltage not exceeding 440 V with the frequency of 50/60 Hz.

CONSTRUCTION

Non-inductive metallized polypropylene winding encapsulated in self-extinguishing material meeting the requirements of UL 94 V-0.

REQUIREMENTS

The WX1P capacitors meet the requirements of EN 60384-14 standard for class X1.
This product fulfils the requirements of the RoHS Directive (2002/95/EC).

TECHNICAL DATA:

- | | |
|----------------------------|---|
| - Climatic category: | - 40/100/56/C |
| - Dissipation factor: | - ≤ 0,0010 at f=10 kHz 1V for C ≤ 0,1 μF
≤ 0,0050 at f=10 kHz 1V for 0,1 < C ≤ 1 μF
≤ 0,0010 at f=1 kHz 1V for 1 μF < C |
| - Insulation resistance: | - ≥ 30 000 MΩ for C ≤ 0,33 μF
≥ 10 000 s for C > 0,33 μF |
| - Voltage change rate: | - max 100V/μs |
| - Production voltage test: | - 2200VDC/1s |
| - Box: | - plastic |
| - Leads: | - version 00; 01 - tinned Cu wire |
| - Technical requirements: | - WT-04/MIFLEX/WXP + App. No 5 |

 **MIFLEX S.A.**

ZAKŁADY PODZESPOŁÓW RADIOWYCH
GRUNWALDZKA 3, 99-300 KUTNO, POLAND
Telephone: +48 24 355 11 00
Fax: +48 24 355 11 88
e-mail: miflex@miflex.com.pl

Revision date
16.09.2011

Page
1/2

INTERFERENCE SUPPRESSION CAPACITORS OF CLASS X1 / 440V~

Code	Capacitance μF	Dimensions					
		$B^{\pm 0,3}$ mm	$H^{\pm 0,3}$ mm	$L^{\pm 0,3}$ mm	$a^{\pm 0,5}$ mm		
WX1P-103M	0,010	5,5	10,5	18,0	15,0		
WX1P-153M	0,015	6,5	12,5				
WX1P-223K or M	0,022	5,5	10,5				
WX1P-223M		7,5	13,5				
WX1P-273M	0,027	8,5	14,5				
WX1P-333K or M	0,033	6,5	12,5				
WX1P-333M		8,5	17,0				
WX1P-473K or M	0,047	7,5	13,5				
WX1P-473M			15,5			26,5	22,5
WX1P-683K or M	0,068	8,5	14,5			18,0	15,0
WX1P-683M			16,5			26,5	22,5
WX1P-104K or M			17,0			18,0	15,0
WX1P-104M	0,10	7,5	15,5	26,5	22,5		
WX1P-104M		10,5	18,5				
WX1P-154K or M	0,15	7,5	15,5				
WX1P-224M	0,22	8,5	16,5				
WX1P-334M	0,33	10,5	18,5	31,5	27,5		
WX1P-334K or M		11,5	20,5				
WX1P-474K or M	0,47	13,5	23,5				
WX1P-684K or M	0,68	15,0	24,5				
WX1P-105K or M	1,0	16,0	28,5	41,5	37,5		
WX1P-155K or M	1,5						
WX1P-225K or M	2,2					18,0	33,0

Capacitance tolerance: $\pm 10\%$ (K); $\pm 20\%$ (M)

