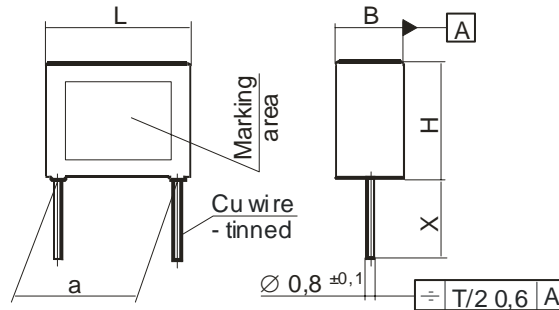


INTERFERENCE SUPPRESSION CAPACITORS OF CLASS Y2 / 300 VAC

WYP– version 00, 01



Standard lead lengths
 $X = 6^{+1}$ mm for version 00
 $X = 35^{+5}$ mm for version 01

Code	Rated capacitance	Capacitance tolerance	Rated voltage	Wymiary			
				L $\pm 0,3$	H $\pm 0,3$	B $\pm 0,5$	a $\pm 0,5$
-	μF	%	V~	mm	mm	mm	mm
WYP168	0,00068	± 20	300	13,0	10,5	4,5	10,0 $^{+0,5}$

APPLICATION

The WYP interference suppression capacitors are designed to attenuate RFI signal in all and line-ground applications for class Y2. Appropriate for use in situations where capacitor failure could cause an electric shock danger.

CONSTRUCTION

Non-inductive metallized polypropylene winding encapsulated in self-extinguishing material meeting the requirements of UL 94 V-0.

REQUIREMENTS

The WYP capacitors meet the requirements of EN 60384-14 standard for class Y2. This product fulfils the requirements of the RoHS Directive (2011/65/UE).

TECHNICAL DATA

- Rated voltage - 300 Vac 50/60 Hz
- Dissipation factor - $\leq 0,010$ at $f = 10$ kHz
- Insulation resistance - $\geq 30\ 000$ M Ω
- Voltage test - 2700 Vdc per 2 sec.
- Voltage change rate [du/dt] - 100 V/ μs
- Climatic category - 40/100/56/C

 **MIFLEX S.A.**

ZAKŁADY PODZESPOŁÓW RADIOWYCH
 99-300 KUTNO, UL. GRUNWALDZKA 3, POLAND
 Tel.: (24) 355 11 00-02
 Fax: (24) 355 11 88
 E-mail: miflexsa@miflex.com.pl

Revision date: 29.03.2017