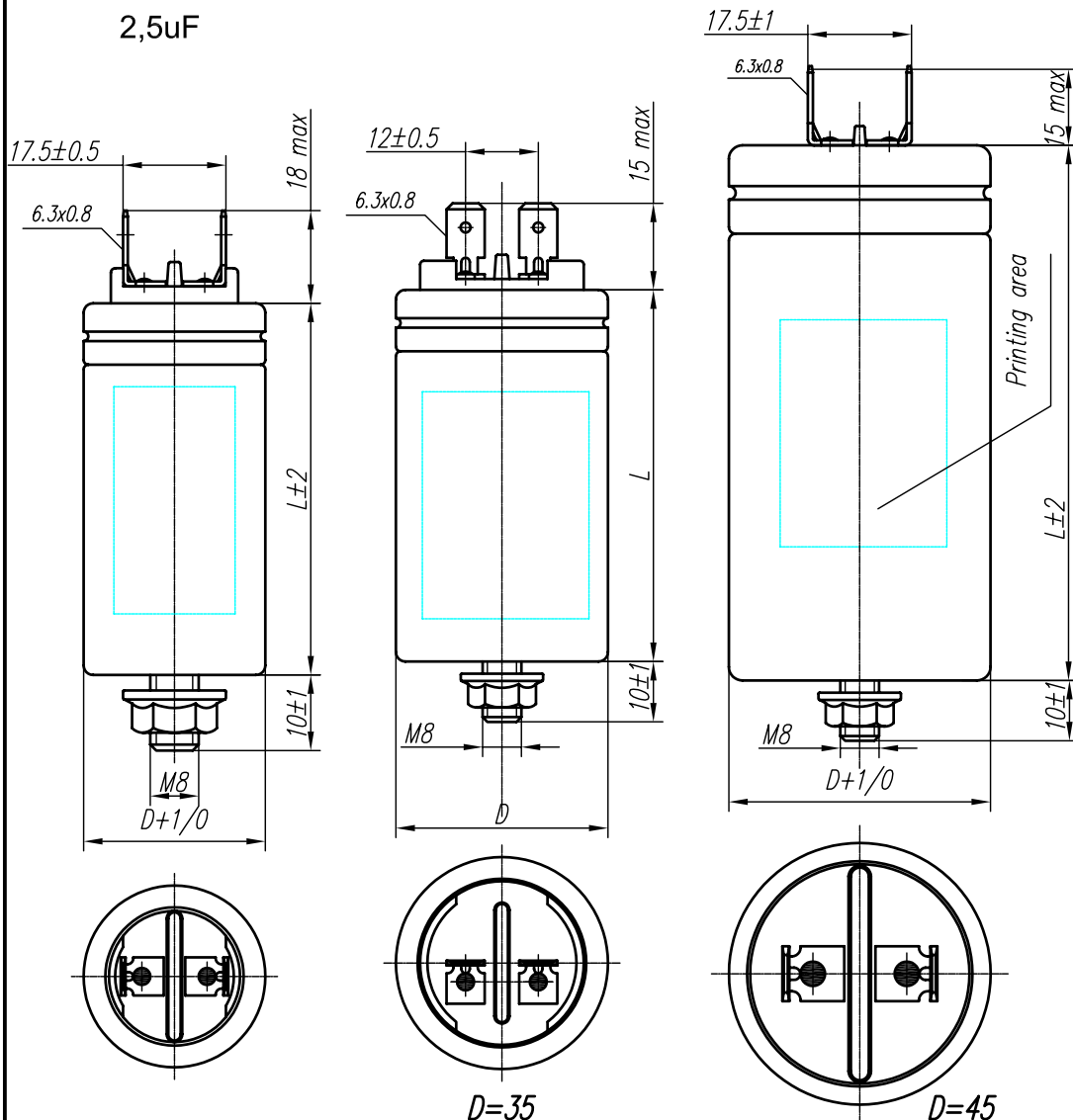


## AC METALLIZED POLYPROPYLENE FILM CAPACITORS FOR MOTOR APPLICATIONS



Printing

**MIFLEX**  
MKSP-I18  
30µF±5%  
400V~ kl.B  
450V~ kl.C  
50-60Hz  
40/85/21 **30**  
# P2  
EN 60252-1  
VDE 560-8  
H3

Capacitor dimensions

Capacitance	Capacitor dimensions	
	D <sub>0</sub> <sup>+1</sup>	L±2
µF	mm	mm
2,5	25	62
15	35	75
30	45	88
40		100

### TECHNICAL DATA:

Capacitance :

- Capacitance tolerance:

- Rated voltage U<sub>R</sub>:

- Climatic category:

- Tangent of the loss angle:

- Dielectric strength:

between terminals

between terminals connected together and case

- Case:

- Specifications:

- Application class:

- Safety class:

- Protection degree:

- The capacitors meet the requirements of:

- This product fulfils the requirements of the RoHS Directive (2011/65/UE).

- acc. table

- ± 5% ,

- 400V / 450V -50Hz,

- 40/85/21 acc. to EN 60068-1,

- ≤0,0015 / U<sub>R</sub> - 50Hz,

- 2 U<sub>R</sub> - 2s,

- 2,5kV / 50Hz - 2s,

- aluminium,

- WT-04/MIFLEX/MKSP-I18,

- 400VAC -kl.B (10000h), 450VAC -kl.C (3000h),

- P2,

- IP00,

- EN 60252-1, VDE 0560 part 8,

Upon customer's request these capacitors may be delivered without the hexagonal teathed flange nut.

 **MIFLEX S.A.**

ZAKŁADY PODZESPOŁÓW RADIOWYCH  
GRUNWALDZKA 3, 99-300 KUTNO, POLAND

Telephone: +48 24 355 11 00

Fax: +48 24 355 11 88

e-mail: miflexsa@miflex.com.pl

Revision date

19.05.2016

Page

10/10