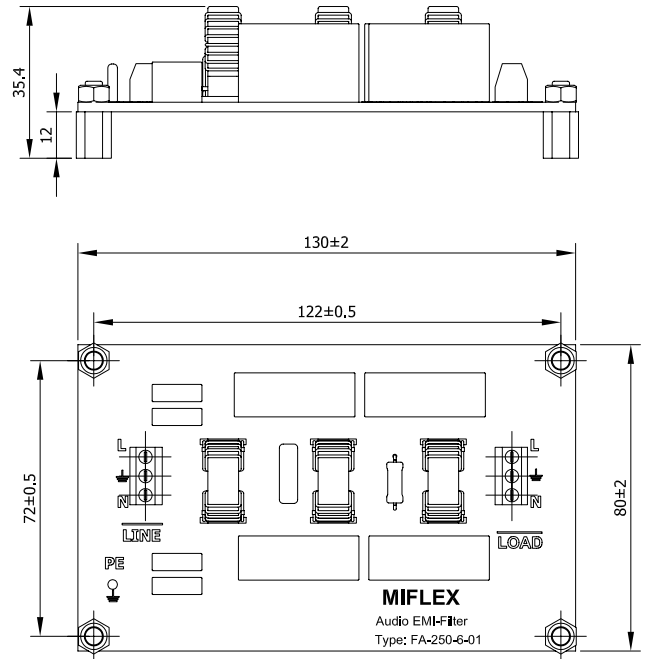
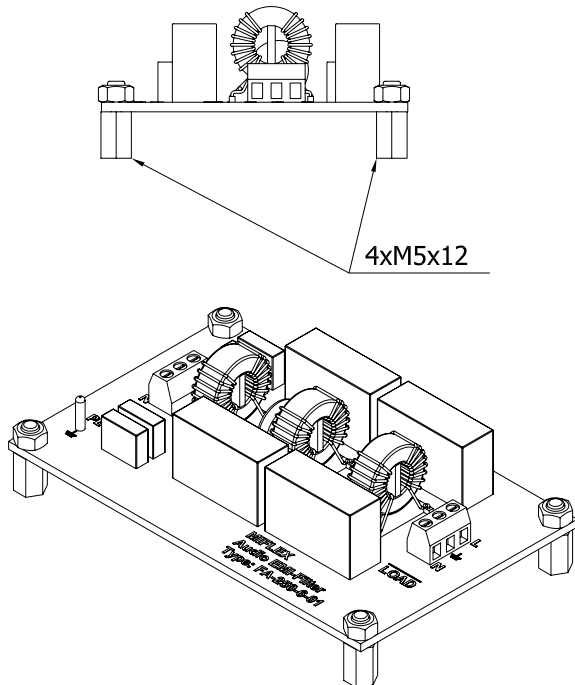
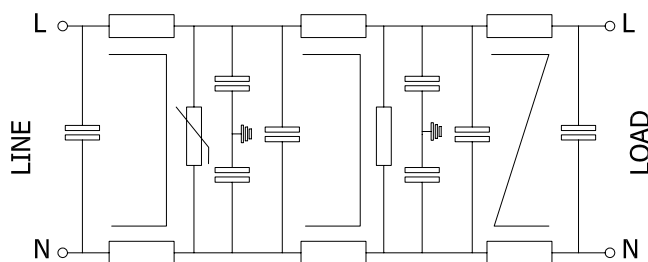


Audio EMI Filter



Electrical schema



This product fulfils the requirements of the RoHS Directive (2011/65/EC).

Technical data:

Rated capacitance:	cl.X2–4x0,68 μ F cl.Y2–4x0,68nF
Capacitance tolerance:	$\pm 20\%$
Rated inductance:	2x3,3mH(x3) +50/–30%
Discharging resistor:	150k Ω
Rated current:	6A
Rated voltage:	250VAC
Rated frequency:	50 \pm 60Hz
Climatic category:	25/100/21 C
100% Voltage Test in production:	cl.X2–1625Vdc–2s cl.Y2–2800Vdc–2s
Requirements:	EN 60939–2; EN 60335–1 p.30

 **MIFLEX SA**

ZAKŁADY PODZESPOŁÓW RADIOWYCH
99-300 KUTNO, ul.GRUNWALDZKA 3

Telefon: +48 24 355 11 00

Fax: +48 24 355 11 88

e-mail: miflexsa@miflex.com.pl

06.11.2018.

Page
1/1