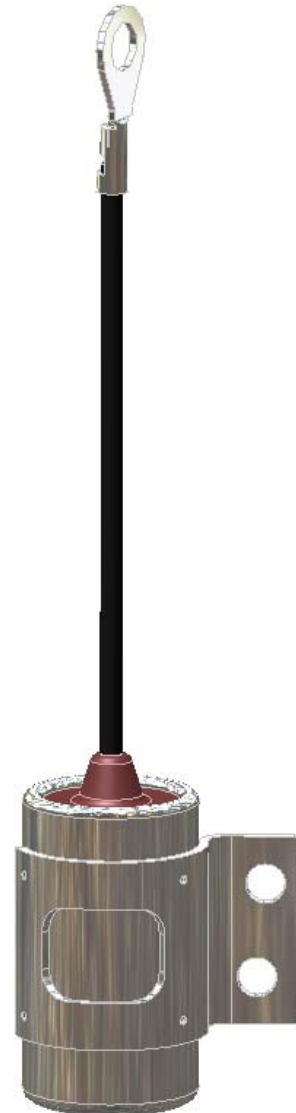
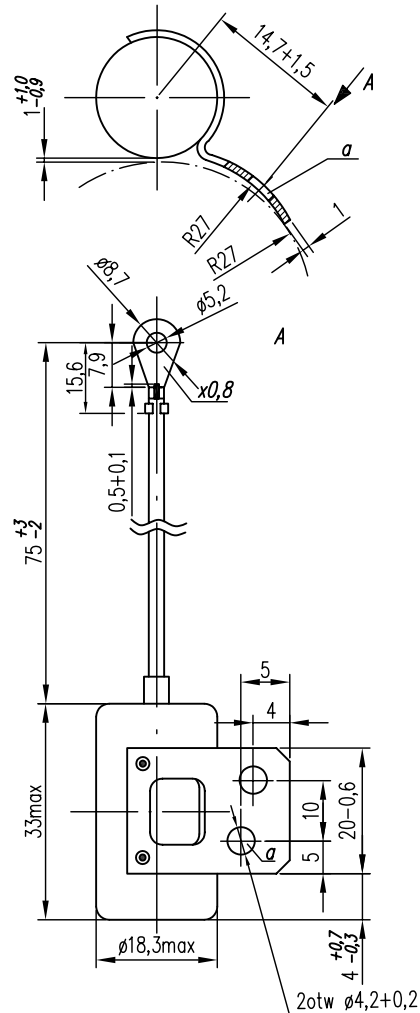


Kondensatory samochodowe zapłonowe Ignition capacitors



TECHNICAL DATA:

Non-inductive KPs capacitors are designed to work in ignition devices for internal combustion engines.

Temperature working range	$-40 \div +100^{\circ}\text{C}$
Rated capacitance (Cr)	$0,25\mu\text{F}$
Capacitance tolerance	$\pm 10\%$
Rated voltage (Ur) at 50Hz	$500\text{V}\sim$
Test voltage (Up) at 50Hz	$750\text{V}\sim 1\text{min.}$
Insulation resistance (Rinsul) at 20°C	$\geq 5000\text{M}\Omega$
Weight	$\sim 27\text{g}$
Specification	WT-04/MIFLEX/KPs

 **MIFLEX S.A.**

ZAKŁADY PODZESPOŁÓW RADIOWYCH
99-300 KUTNO, UL. GRUNWALDZKA 3 POLAND
Chief Engineering Specialist +48 24 355 12 10
Design Department +48 24 355 12 77
Production Engineering Department +48 24 355 12 77
Fax +48 24 355 12 88
E-mail miflexsa@miflex.com.pl

Strona 1/1
(Seite/Page)

Data aktualizacji: 14.12.2016.
(Letzte Aktualisierung/Revision date)