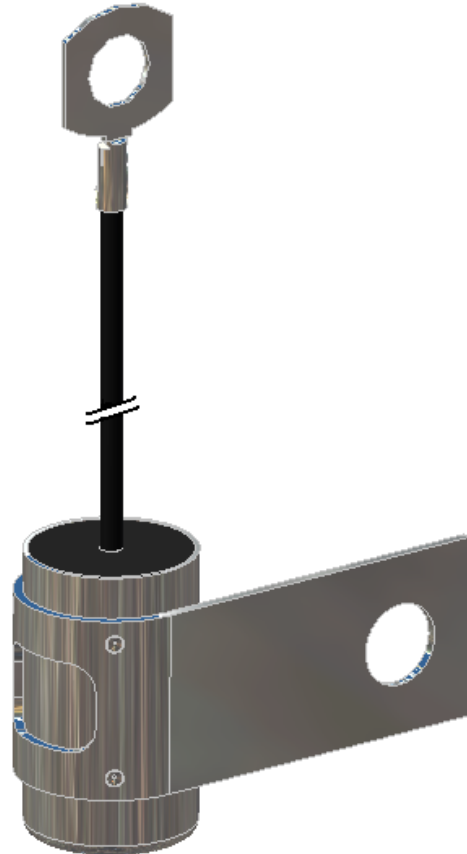
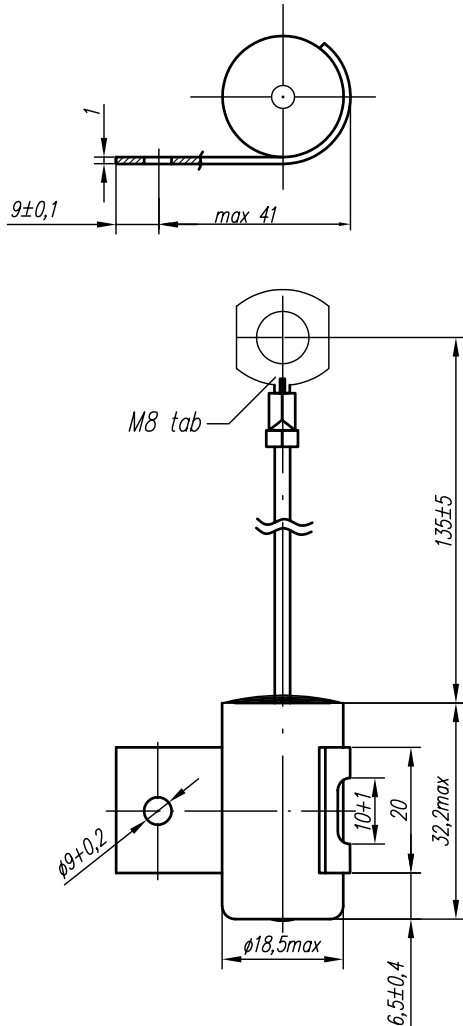


Kondensatory samochodowe przeciwzakłóceńowe Automotive interference suppression capacitors



TECHNICAL DATA:

Non-inductive KPs-011 capacitors are designed to suppress interference in automotive systems.

Temperature working range at air humidity 95

$-40 \div +100^{\circ}\text{C}$

Rated capacitance (Cr)

$0,5\mu\text{F}$

Capacitance tolerance

$\pm 20\%$

Rated voltage (Ur) at 50Hz

$360\text{V}\sim$

Dissipation factor (tg δ) at $25^{\circ}\text{C} \pm 5^{\circ}\text{C}$ at 1kHz

$\leq 0,01$

Insulation resistance (Rins) at 20°C

$> 5000\text{M}\Omega$

Weight

$\sim 35\text{g}$

Specification

WT-04/MIFLEX/KPs



ZAKŁADY PODZESPOŁÓW RADIOWYCH
99-300 KUTNO, UL. GRUNWALDZKA 3 POLAND
Chief Engineering Specialist +48 24 355 12 10
Design Department +48 24 355 12 77
Production Engineering Department +48 24 355 12 77
Fax +48 24 355 12 88
E-mail miflexsa@miflex.com.pl

Strona 1/1
(Seite/Page)

Data aktualizacji: 15.03.2017
(Letzte Aktualisierung/Revision date)