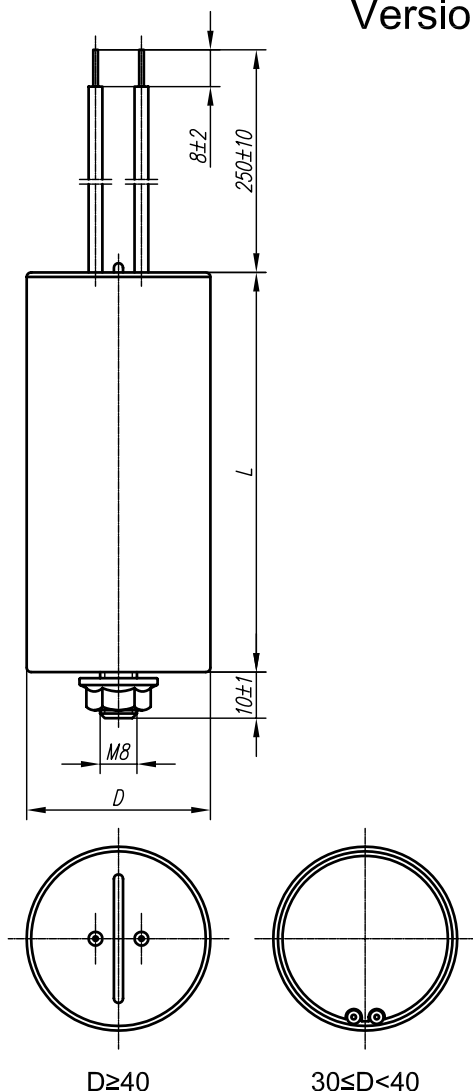


## AC METALLIZED POLYPROPYLENE FILM CAPACITORS FOR USE IN DISCHARGE LAMP CIRCUITS (TYPE A)

### Version 10

Capacitor dimensions in case with metal stud



Rated capacitance $C_N$	Capacitor dimensions		
	$D_0^{+1}$	$L \pm 2$	
$\mu\text{F}$	mm	mm	
4,5	30	58	
6			
7			
8			
9			
10			
12			
12,5	73		
14			
15			
16	35	73	
18	30	83	
20	35	73	
20			
25			
30			
32			
35		40	83
40			
45			
50			
60	50		

Other dimensions and capacitances from the given range are available on the customer's request.

### TECHNICAL DATA:

- Capacitance tolerance:  $\pm 10\%$ ,
  - Rated voltage: 250V/50Hz,
  - Rated frequency: 50 - 60Hz,
  - Temperature range (temp of capacitor surface):  $-40 + 85\text{ }^\circ\text{C}$ ,
  - Climatic category: 40/085/10 acc. to EN 60068-1,
  - Relative humidity in capacitor's ambience at  $20 + 25\text{ }^\circ\text{C}$ : 65% mean annual value, 85% max value during 30 days,
  - Dewing of capacitor: not allowed,
  - Dissipation factor ( $\text{tg } \delta$ ):  $\leq 0.003$  at 50Hz / 250V~,
  - Dielectric strength:
    - between terminals:  $2U_R - 60\text{s}$ ,
    - between terminals connected together and case:  $2.5\text{kV} / 50\text{Hz} - 60\text{s}$ ,
  - Metal stud M8: tightening-up strength 4 Nm,
  - Case: plastic case,
  - Filling material: PUR resin,
  - Specifications: WT-03/MIFLEX/MKSP-025 and MKSP-025P,
  - The capacitors meet the requirements of: EN 61048, EN 61049,
- This product fulfils the requirements of the RoHS Directive (2011/65/EC).

**MIFLEX S.A.**

ZAKŁADY PODZESPOŁÓW RADIOWYCH  
GRUNWALDZKA 3, 99-300 KUTNO, POLAND  
Telephone: +48 24 355 11 00  
Fax: +48 24 355 11 88  
e-mail: miflexsa@miflex.com.pl

Revision date  
26.09.2019

Index - I520U...

Page  
9/9