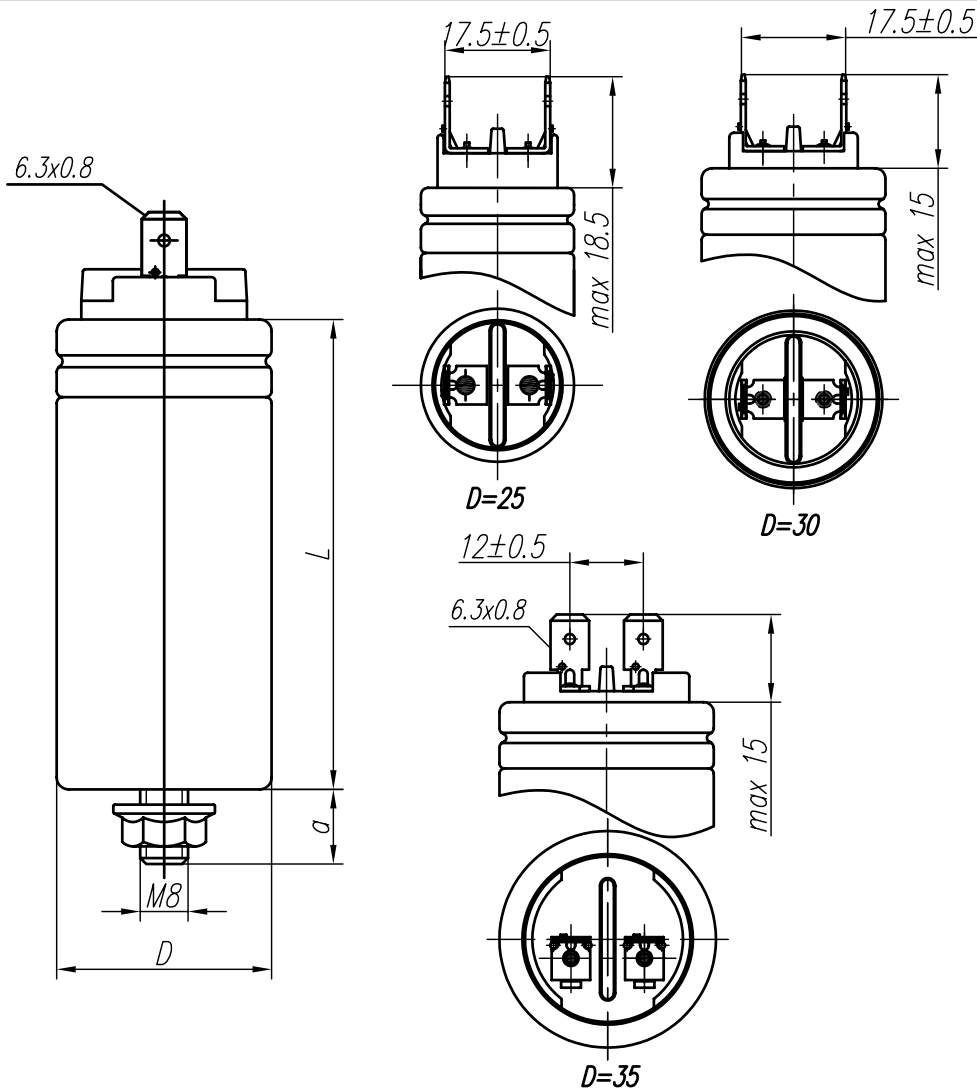


AC METALLIZED POLYPROPYLENE FILM CAPACITORS FOR MOTOR APPLICATIONS



Capacitor dimensions

Rated capacitance μF	Capacitor dimensions		
	$D_{\pm 1}$ mm	$L \pm 2$ mm	$a_{\pm 0.5}^{\pm 1}$ mm
3	25	63	10
3,5			
4			
4,5			
5			
6			
6,5			
7	88		
7	30	58	12,5
7,5	25	88	10
7,5	30	58	12,5
8	25	88	10
8	30	58	12,5
9	25	88	10
9	30	58	12,5
10	25	88	10
10	30	58	12,5
11	25	88	10
11	30	58	12,5
12	30	85	
12	35	62	
12,5	30	85	
12,5	35	62	
13	30	85	
13	35	62	
13,5	30	85	
13,5	35	62	
14	30	85	
14	35	62	
15	30	85	
15	35	62	
16	30	85	
16	35	62	
17	30	85	
20	35	87	
22			
25			
30			
32			
35	99		

Other dimensions and capacitances from the given range are available at the customer's request.

TECHNICAL DATA:

- Capacitance tolerance:
 - $\pm 5\%$; $\pm 10\%$,
 - Rated voltage U_R :
 - 280V / 50Hz,
 - Climatic category:
 - 25/085/21 acc. to EN 60068-1,
 - Tangent of the loss angle at 1V / 1kHz:
 - $\leq 0,0010$ for $C \leq 15\mu\text{F}$
 - $\leq 0,0020$ for $15\mu\text{F} < C \leq 30\mu\text{F}$
 - $\leq 0,0040$ for $C > 30\mu\text{F}$,
 - $+85^\circ\text{C}$
 - Rated temperature
 - Dielectric strength
 - between terminals:
 - $2 U_R - 60\text{s}$,
 - between terminals connected together and case:
 - $2\text{kV} / 50\text{Hz} - 60\text{s}$,
 - Case:
 - aluminium,
 - Application class:
 - A (30000h) 280VAC,
 - Safety class:
 - P2,
 - Protection degree:
 - IP00,
 - The capacitors meet the requirements of:
 - EN 60252-1.
- This product fulfils the requirements of the RoHS Directive (2002/95/EC).

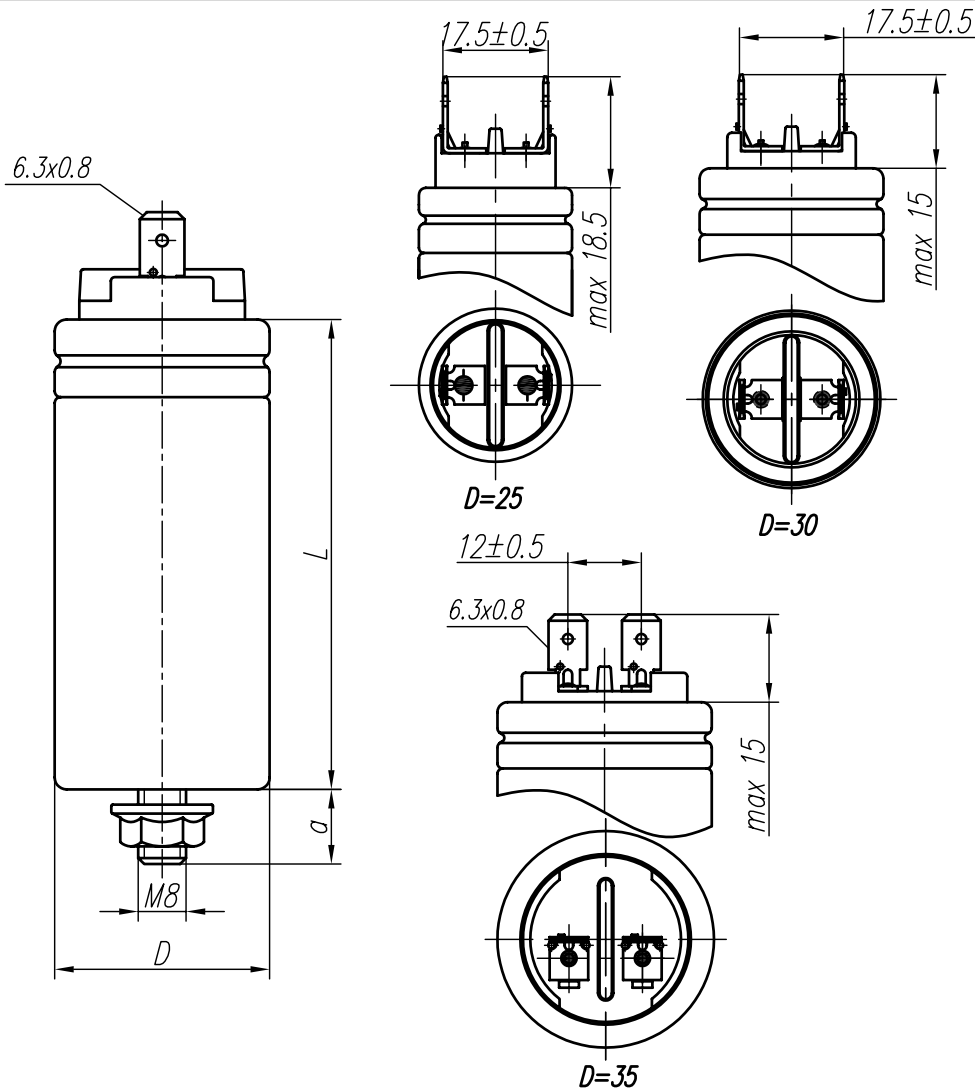
 **MIFLEX S.A.**

ZAKŁADY PODZESPOŁÓW RADIOWYCH
GRUNWALDZKA 3, 99-300 KUTNO, POLAND
Telephone: +48 24 355 11 00 ÷ 02
Fax: +48 24 355 11 88
e-mail: miflex@miflex.com.pl

Revision date
07.12.2007

Page
1/2

AC METALLIZED POLYPROPYLENE FILM CAPACITORS FOR MOTOR APPLICATIONS



Capacitor dimensions

Rated capacitance μF	Capacitor dimensions		
	$D_{\pm 1}^1$ mm	$L_{\pm 2}$ mm	$a_{\pm 0.5}^1$ mm
3	25	63	10
3,5			
4			
4,5			
5			
6			
6,5			
7	88		
7	30	58	12,5
7,5	25	88	10
7,5	30	58	12,5
8	25	88	10
8	30	58	12,5
9	25	88	10
9	30	58	12,5
10	25	88	10
10	30	58	12,5
11	25	88	10
11	30	58	12,5
12	30	85	
12	35	62	
12,5	30	85	
12,5	35	62	
13	30	85	
13	35	62	
13,5	30	85	
13,5	35	62	
14	30	85	
14	35	62	
15	30	85	
15	35	62	
16	30	85	
16	35	62	
17	30	85	
20	35	87	
22			
25			
30			
32			
35	99		

Other dimensions and capacitances from the given range are available at the customer's request.

TECHNICAL DATA:

- Capacitance tolerance:
 - $\pm 5\%$; $\pm 10\%$,
 - Rated voltage U_R :
 - 300V / 50Hz,
 - Climatic category:
 - 40/100/21 acc. to EN 60068-1,
 - Tangent of the loss angle at 1V / 1kHz:
 - $\leq 0,0010$ for $C \leq 15\mu\text{F}$
 - $\leq 0,0020$ for $15\mu\text{F} < C \leq 30\mu\text{F}$
 - $\leq 0,0040$ for $C > 30\mu\text{F}$,
 - Rated temperature
 - $+100^\circ\text{C}$
 - Dielectric strength
 - between terminals:
 - $2 U_R - 60\text{s}$,
 - between terminals connected together and case:
 - $2\text{kV} / 50\text{Hz} - 60\text{s}$,
 - Case:
 - aluminium,
 - Application class:
 - B (10000h) 300VAC,
 - Safety class:
 - P2,
 - Protection degree:
 - IP00,
 - The capacitors meet the requirements of:
 - EN 60252-1.
- This product fulfils the requirements of the RoHS Directive (2002/95/EC).

 **MIFLEX S.A.**

ZAKŁADY PODZESPOŁÓW RADIOWYCH
GRUNWALDZKA 3, 99-300 KUTNO, POLAND
Telephone: +48 24 355 11 00 ÷ 02
Fax: +48 24 355 11 88
e-mail: miflex@miflex.com.pl

Revision date
07.12.2007

Page
2/2