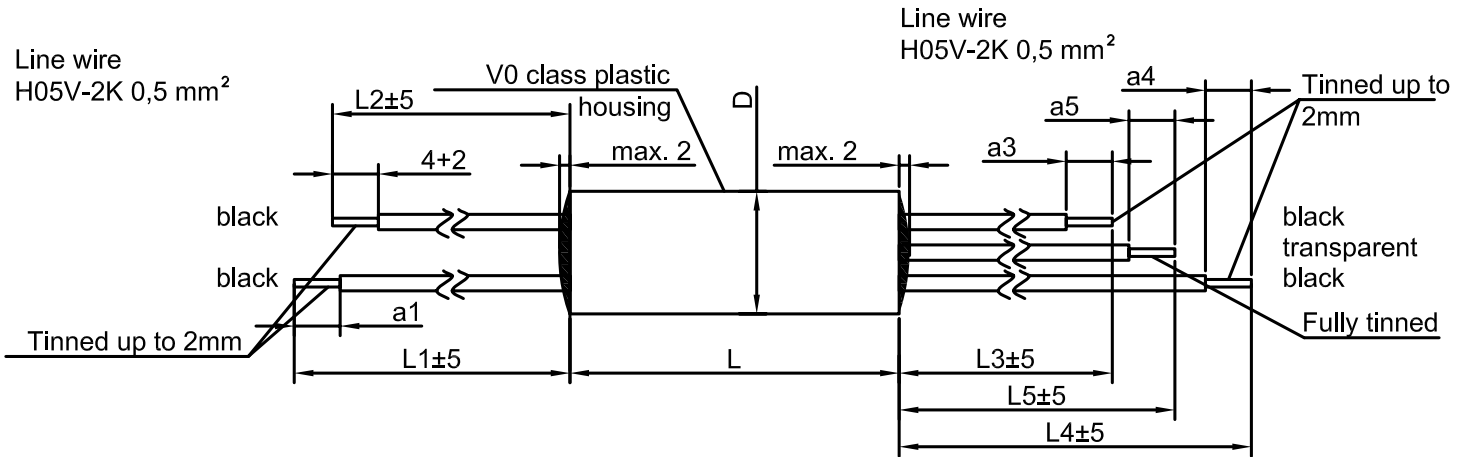
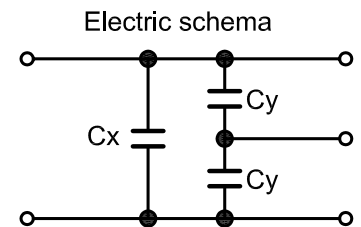


## Interference Suppression Capacitor



Capacitance [X1 Y2]	Ver.	Dimensions											
		D	L	L1	a1	L2	a2	L3	a3	L4	a4	L5	a5
µF		mm	mm	mm	mm	mm	mm	mm	mm	mm	mm	mm	mm
0,1 + 2 x 0,0027	F	16,5 <sup>+1/-0,5</sup>	42,5	160	4+2	160	4+2	80	6+2	240	6+2	160	6+2
	I			100	4±1	100	4±1	60	5±1	60	5±1	40	5±1
	L			180	6+2	250	5 <sup>+1/-0,5</sup>	190	5 <sup>+1/-0,5</sup>	190	5 <sup>+1/-0,5</sup>	190	4+2
0,22 + 2 x 0,0027	E	22,0±0,5	42,5	220	6+2	220	6+2	80	6+2	80	6+2	130	6+2
	L			180	6+2	250	5 <sup>+1/-0,5</sup>	190	5 <sup>+1/-0,5</sup>	190	5 <sup>+1/-0,5</sup>	190	4+2



### Application:

KSPpz-10 type RFI capacitors are designed to suppress electromagnetic interference in electrical devices with rated voltage 250V AC with a nominal frequency of 50±10Hz and the range of operating temperatures covered by the climatic category of the filter.

Other capacitance values and terminal lengths and types can be agreed upon request.

Capacitor can be manufactured with resistor.

This product fulfils the requirements of the RoHS Directive (2011/65/EC)

### TECHNICAL DATA

Rated capacitance: acc. to table

Capacitance tolerance: ±20%

Rated voltage: 250Vac

Rated frequency: 50+60Hz

Climatic category: 40/100/21C

Discharge resistor: - -

100% Voltage test:

X1 - 1625Vdc - 2s  
Y2 - 2800Vdc - 2s

Standards: EN 60384-14



ZAKŁADY PODZESPOŁÓW RADIOWYCH  
99-300 KUTNO, ul.GRUNWALDZKA 3  
Telefon: +48 24 355 11 00  
Fax: +48 24 355 11 88  
e-mail: miflexsa@miflex.com.pl

Indeks - A10..

Revision date  
25.06.2020

Page  
1/1