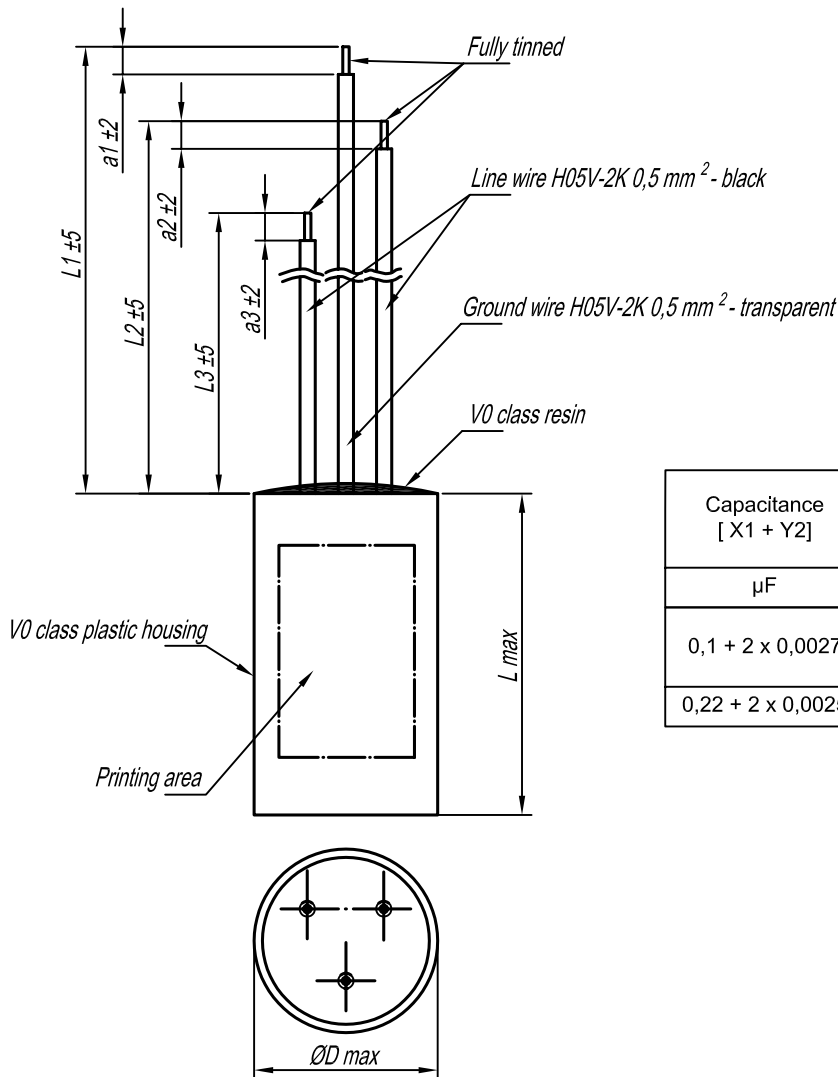
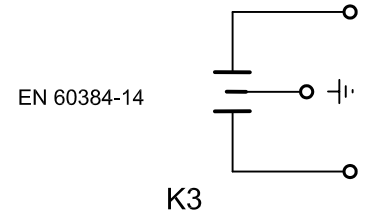


Interference Suppression Capacitor

Example of printing

MIFLEX
KSPpzp-10-2 X1Y2
0,1 μ FM + 2x2700pFM
250VAC 40/100/21C



Capacitance [X1 + Y2]	Ver.	Dimensions							
		D	L	L1	a1	L2	a2	L3	a3
μ F		mm	mm	mm	mm	mm	mm	mm	mm
0,1 + 2 x 0,0027	B	16	37	70	6	100	6	100	6
	N	16	37	160	4	100	6	100	6
0,22 + 2 x 0,0025	U	20,5	42	50	6	150	6	150	6

TECHNICAL DATA

Rated capacitance: acc. to table

Capacitance tolerance: $\pm 20\%$

Rated voltage: 250Vac

Rated frequency: 50 \pm 60Hz

Climatic category: 40/100/21C

Discharge resistor: - -

100% Voltage test:

X1 - 1625Vdc - 2s
Y2 - 2800Vdc - 2s

Standards: EN 60384-14

Description:

KSPpzp type RFI capacitors are designed to suppress interferences in electronic devices with the rated voltage of 250VAC with rated frequency of 50 \pm 10Hz and the temperature range acc. to capacitor climatic category.

Uwaga:

This product fulfils the requirements of the RoHS Directive (2011/65/EC).

 **MIFLEX SA**

ZAKŁADY PODZESPOŁÓW RADIOWYCH
99-300 KUTNO, ul.GRUNWALDZKA 3
Telefon: +48 24 355 11 00
Fax: +48 24 355 11 88
e-mail: miflexsa@miflex.com.pl

Indeks - IA12..

Revision date
23.08.2022

Page
1/1