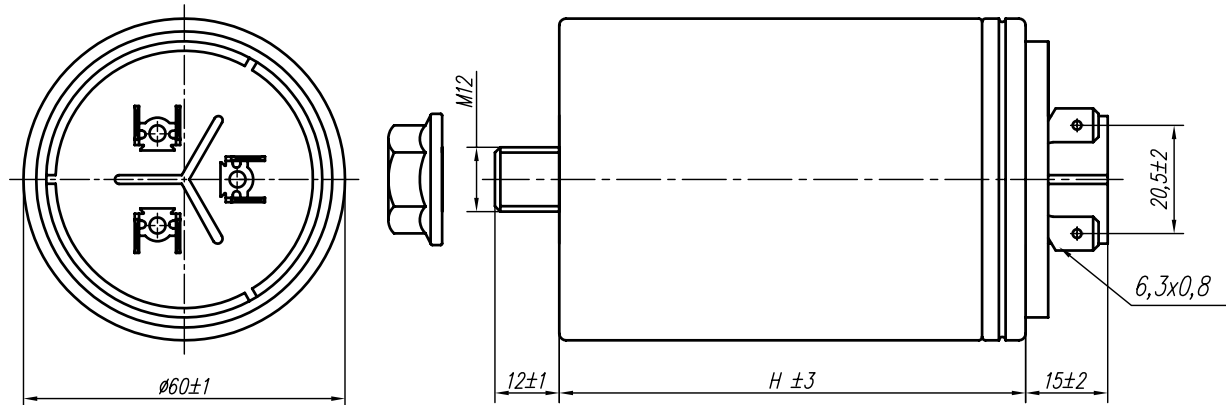


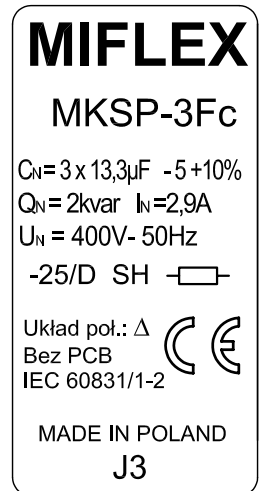
## THREE-PHASE POLYPROPYLENE CAPACITORS FOR POWER FACTOR CORRECTION



### TECHNICAL DATA:

- Rated voltage:
- Rated power:
- Rated frequency:
- Capacitance tolerance:
- Temperature range:
- Storage temperature :
- Dielectric:
- Filling:
- Type of work:
- Connection:
- Discharge resistor:
- Discharge time:
- Losses:
  - Dielectric:
  - Total (50Hz):
- Dielectric strength:
  - between terminals
  - between terminals connected together and case
- Terminals:
- Case:
- Humidity class:
- Over voltages:
- Max. current:
- In rush current(max)
- Number of switches per year:
- Max du/dt
- Safety:
- Cooling:
- Mounting position:
- Protection degree:
- Installation:
  - The capacitors meet the requirements of:
  - Expected life time:
  - Fixing:
- acc. table page 2,
- Qn @50Hz acc. table page 2,
- Q1+Q5 @50Hz acc. table page 3,
- 50Hz or 60Hz
- -5...+ 10%,
- -25°C do + 55°C (-25/D)
- during 24h  $\leq 45^\circ\text{C}$
- during 1year  $\leq 35^\circ\text{C}$
- -40°C do +70°C
- metallized polypropylene film
- PUR (oil), PCB-free
- continuous
- delta, acc. picture 1 page 3
- internal
- $\leq 3\text{min. do } 75\text{V}$
- $\leq 0,2 \text{ W/kvar}$
- $\leq 0,5 \text{ W/kvar}$
- 2, 15 x Un/50Hz- 2s
- 3,6kV / 50Hz - 2s,
- 3x double fast-on tabs 6,3x0,8,
- cylindrical, aluminum,
- C
- 1,1 x Un (up to 8 h daily)
- 1,3 x In
- 100 x In
- $\leq 5000$  acc. EN 60831-1
- $\leq 30\text{V}/\mu\text{s}$
- self-healing, mechanical disconnection device
- natural or forced,
- vertical,
- IP00,
- inside, altitude  $\leq 2000\text{m}$ ,
- IEC 60831-1/2; PN-EN60831-1/2
- >100 000h class D
- M12,max torque 12Nm

Label



A free space of min. 12mm is required above the capacitor to enable correct operation of the mechanical disconnection device. This product fulfils the requirements of the RoHS Directive (2011/65/UE).

## MIFLEX S.A.

ZAKŁADY PODZESPOŁÓW RADIOWYCH  
99-300 KUTNO, ul.GRUNWALDZKA 3  
Telefon: +48 24 355 11 00  
Fax: +48 24 355 11 88  
e-mail: miflexsa@miflex.com.pl

Index - I130...-3FC

Revision date  
02.11.2020

Page  
1/3

## THREE-PHASE POLYPROPYLENE CAPACITORS FOR POWER FACTOR CORRECTION

Rated voltage Un	Reactive power Qn	Rated capacitance Cn	Rated current In	Dimension H	Weight	Code
[V]	[kVar]	[µF]	[A]	[mm]	[kg]	[-]
400	1,0	3 x 6,6	1,4	145	0,43	I130V010J-3FC
	1,5	3 x 9,95	2,2	145	0,43	I130V015J-3FC
	2,0	3 x 13,3	2,9	145	0,43	I130V020J-3FC
	2,5	3 x 16,6	3,6	145	0,43	I130V025J-3FC
	3,0	3 x 19,9	4,3	145	0,43	I130V030J-3FC
	3,5	3 x 23,2	5,1	145	0,43	I130V035J-3FC
440	0,4	3 x 2,2	0,5	145	0,43	I130X004J-3FC
	0,75	3 x 4,1	1,0	145	0,43	I130X007J5-3FC
	1,0	3 x 5,5	1,3	145	0,43	I130X010J-3FC
	1,5	3 x 8,2	2,0	145	0,43	I130X015J-3FC
	2,0	3 x 11,0	2,6	145	0,43	I130X020J-3FC
	2,5	3 x 13,7	3,3	145	0,43	I130X025J-3FC
	3,0	3 x 16,4	3,9	145	0,43	I130X030J-3FC
	3,5	3 x 19,2	4,6	145	0,43	I130X035J-3FC

**Attention:**

On request, capacitors with other power ratings below 3.5kvar are available.

### MIFLEX S.A.

ZAKŁADY PODZESPOŁÓW RADIOWYCH  
99-300 KUTNO, ul.GRUNWALDZKA 3  
Telefon: +48 24 355 11 00  
Fax: +48 24 355 11 88  
e-mail: miflexsa@miflex.com.pl

Index - I130...-3FC

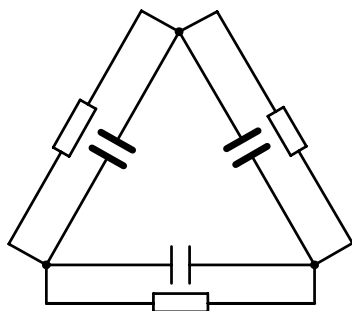
Revision date  
02.11.2020

Page  
2/3

## THREE-PHASE POLYPROPYLENE CAPACITORS FOR POWER FACTOR CORRECTION

Un	Cn	Qn	Q1 [kvar]	Q2 [kvar]	Q3 [kvar]	Q4 [kvar]	Q5 [kvar]
[V]	[ $\mu$ F]	[kvar]	230V	400V	415V	425V	440V
400	3 x 6,6	1,0	0,33	1,0	-	-	-
	3 x 9,95	1,5	0,50	1,5	-	-	-
	3 x 13,3	2,0	0,66	2,0	-	-	-
	3 x 16,6	2,5	0,83	2,5	-	-	-
	3 x 19,9	3,0	0,99	3,0	-	-	-
	3 x 23,2	3,5	1,16	3,5	-	-	-
440	3 x 2,2	0,4	0,11	0,33	0,36	0,37	0,40
	3 x 4,1	0,75	0,20	0,62	0,67	0,70	0,75
	3 x 5,5	1,0	0,27	0,83	0,89	0,93	1,00
	3 x 8,2	1,5	0,41	1,24	1,33	1,40	1,50
	3 x 11,0	2,0	0,55	1,65	1,78	1,87	2,00
	3 x 13,7	2,5	0,68	2,07	2,22	2,33	2,50
	3 x 16,4	3,0	0,82	2,48	2,67	2,80	3,00
	3 x 19,2	3,5	0,96	2,89	3,11	3,27	3,50

Picture 1 - Internal connection



**MIFLEX S.A.**

ZAKŁADY PODZESPOŁÓW RADIOWYCH  
99-300 KUTNO, ul.GRUNWALDZKA 3  
Telefon: +48 24 355 11 00  
Fax: +48 24 355 11 88  
e-mail: miflexsa@miflex.com.pl

Index - I130...-3FC

Revision date  
02.11.2020

Page  
3/3